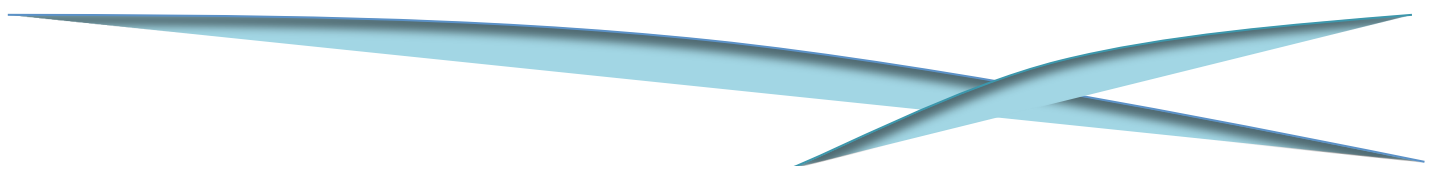


# Abrasive Cutting

CK260/360/460



## Instruction

Model no. CK260



Operation video

### Wide window

Strong and elastic plexiglass  
Easy to check during operation

### Vise with patent right

Quick dual vises with powerful clamping force

### Cutting Chamber

Enclosed space offer stable and quiet operating

### Recirculation coolant system

### Vise travel feeding

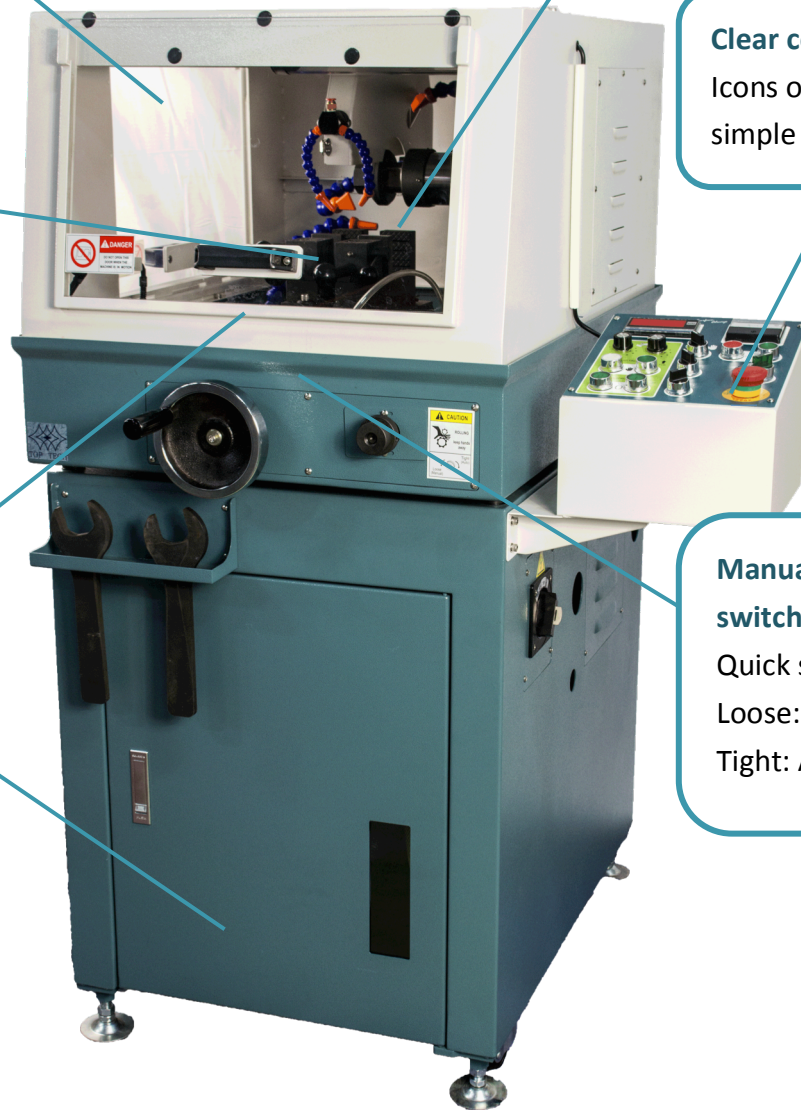
Vise feed in Y-axis

### Clear control panel

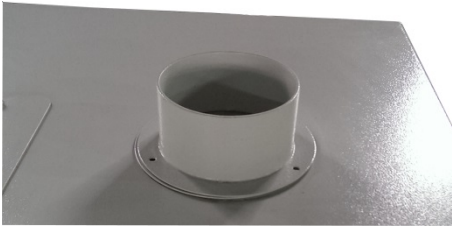
Icons on panel for simple operation

### Manual/automatic switch clutch

Quick switch function  
Loose: manual  
Tight: Automatic



## Features



Vent which allow installing ventilation equipment



### Standard vise-Dual quick push clamp vise

- With the whole vise set a movement 45mm in X-axis
- With right vise movement 40mm in Y-axis
- With left vise movement 20mm in X-axis



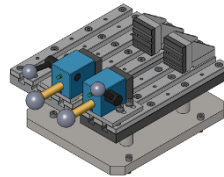
### Option-Separated horizontal movement vise

- With left/right vise set a movement 20mm in X-axis individually
- With right vise movement 40mm in Y-axis



### Option- T-slot vise table + separated vise

- T-slot vise bed suitable for wide ranges of vise



### Option – Separated T-slot vise table + separated vise

- Vise table allow cut off wheel go through table during cutting to reduce the material loss of the cut off wheel



### Standard accessories

#### Recirculation coolant system

- Quick connector
- Built in coolant fluid level gauge easy to check the water level
- Metal filtration panel prevent sample from falling into tank during cutting

	<b>Standard vise- Dual quick push clamp vise</b>	<b>Option- Separated Horizontal movement vise</b>	<b>Option- T-slot vise table+ separated vise</b>	<b>Option- Separated T-slot vise table + separated vise</b>
Sample size	<a href="#">Appendix 1</a>	<a href="#">Appendix 2</a>	<a href="#">Appendix 3</a>	<a href="#">Appendix 4</a>

Order no.	Model no.	Specification
<b>CK-001</b> Protection function of cutting load	CK260( <b>Option</b> ) CK360( <b>Option</b> ) CK460( <b>Option</b> )	-Machine would stop working for 3 seconds when first time overload. Start to work after the electric current drop back to normal value -If the machine overloads for consecutive four times, it would stop all the works automatically and return to the origin
<b>CK-004</b> Variable spindle rotation speed	All model types	Frequency transformer for Variable spindle rotation speed $\pm 50\%$
<b>CK120E03B</b> Powerful type spindle	CK260( <b>N/A</b> ) CK360( <b>Option</b> ) CK460( <b>Option</b> )	Increase the spindle diameter and replace the standard bearing to dual bearing which can sustain greater cutting force and continually operation



**Option**  
**Magnetic filtration recirculation  
coolant system**  
CK-003 (120L)  
CK-003-1(160L)  
CK-003-2(200L)



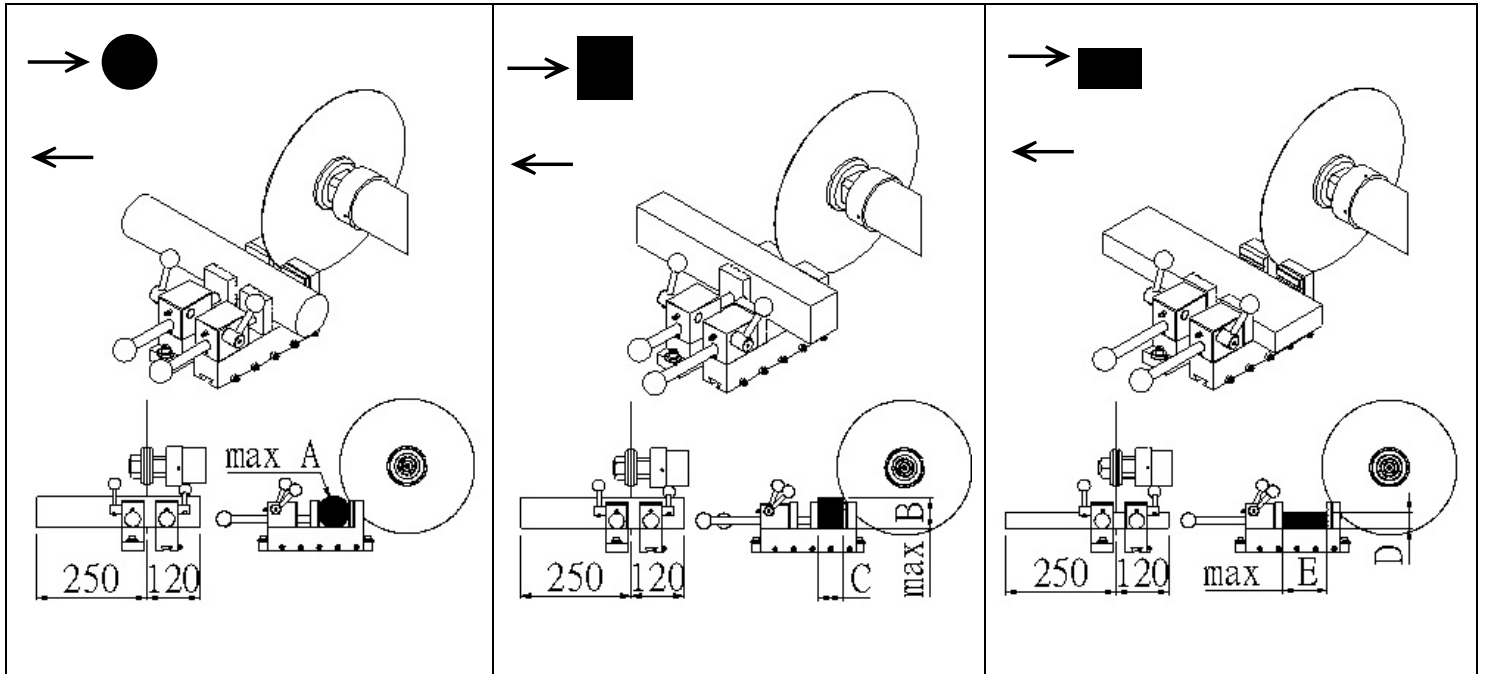
**Clear control panel**  
Easy to use



**Option**  
CK-001 Protection  
function of cutting load

**Option**  
CK-004 Variable spindle  
rotation speed  $\pm 50\%$

## Appendix 1 –Dual quick push clamp vise (Standard)



Model no.	●		■		■		Order no.
	A(mm)	A cutting area(mm <sup>2</sup> )	B(mm)	B x C	E(mm)	E x D	
CK260-3HP	∅70	3846.5	70	70x54.95	100	100x38.46	CK70G03
CK260-5HP	∅90	6358.5	90	90x70.64	100	100x63.58	CK70G03
CK360-5HP	∅90	6358.5	90	90x70.64	150	150x42.39	CK90G03
CK360-7.5HP	∅120	11304	120	120x94.2	150	150x75.36	CK90G03
CK460-10HP	∅120	11304	120	120x94.2	200	200x56.52	CK120G03

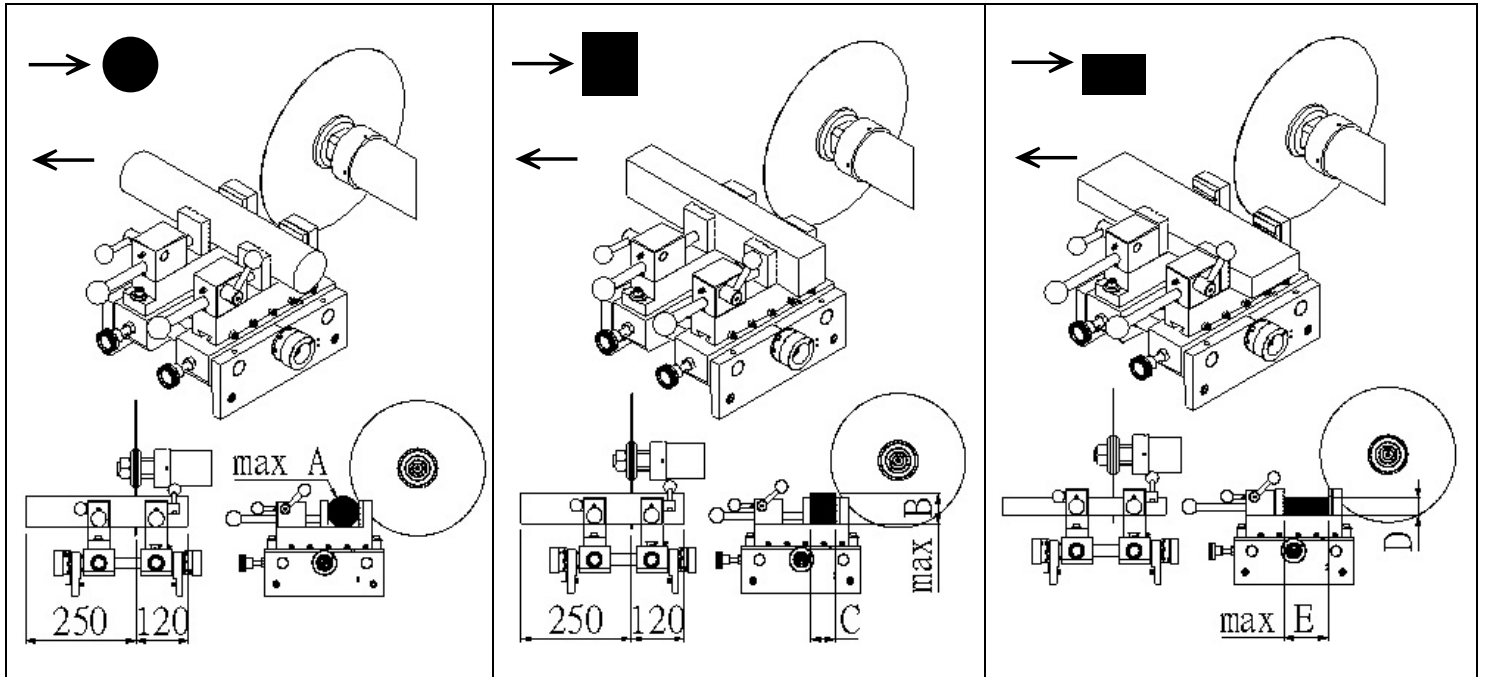
**Square area surface calculation method:**

The maximum height is B, the maximum width is E.  $B \times C$  or  $E \times D \leq A$  surface area.

**Material application:** Alloy tool steel SKS, SKD, SKT, SUP as heat treatment mechanical metal components, ordinary carbon steel, mechanical structure steel S-C series, tool steel SK series, and soft steel SS series.

Surface area can be cut in according to its degree of heat treatment

## Appendix 2 – Separated horizontal movement vise (Option)



Model no.	●		■		■		Order no.
	A(mm)	A cutting area(mm <sup>2</sup> )	B(mm)	B x C	E(mm)	E x D	
CK260-3HP	∅70	3846.5	70	70x54.95	100	100x38.46	CK70E04
CK260-5HP	∅90	6358.5	90	90x70.64	100	100x63.58	CK90E04
CK360-5HP	∅90	6358.5	90	90x70.64	150	150x42.39	CK90E04
CK360-7.5HP	∅120	11304	120	120x94.2	150	150x75.36	CK120E04
CK460-10HP	∅120	11304	120	120x94.2	200	200x56.52	CK120E04

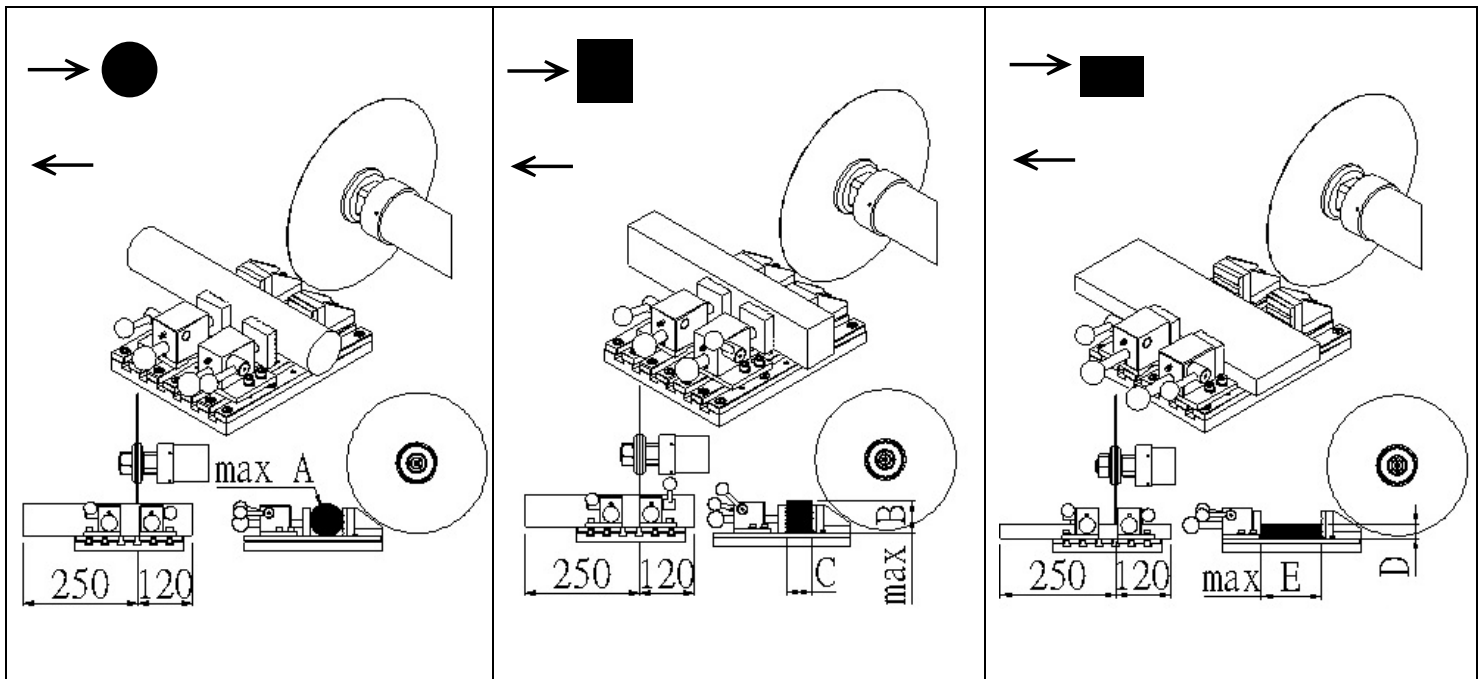
**Square area surface calculation method:**

The maximum height is B, the maximum width is E.  $B \times C$  or  $E \times D \leq A$  surface area.

**Material application:** Alloy tool steel SKS, SKD, SKT, SUP as heat treatment mechanical metal components, ordinary carbon steel, mechanical structure steel S-C series, tool steel SK series, and soft steel SS series.

Surface area can be cut in according to its degree of heat treatment

## Appendix 3 – T-slot vise table + separated vise (Option)



Model no.	●		■		■		Order no.
	A(mm)	A cutting area(mm <sup>2</sup> )	B(mm)	B x C	E(mm)	E x D	
CK260-3HP	∅70	3846.5	70	70x54.95	130	130x29.58	CZ06C
CK260-5HP	∅90	6358.5	90	90x70.64	130	130x48.91	CZ06C
CK360-5HP	∅90	6358.5	90	90x70.64	130	130x48.91	CZ06C
CK360-7.5HP	∅120	11304	120	120x94.2	130	130x86.95	CZ06C
CK460-10HP	∅120	11304	120	120x94.2	170	170x66.49	CZ04D

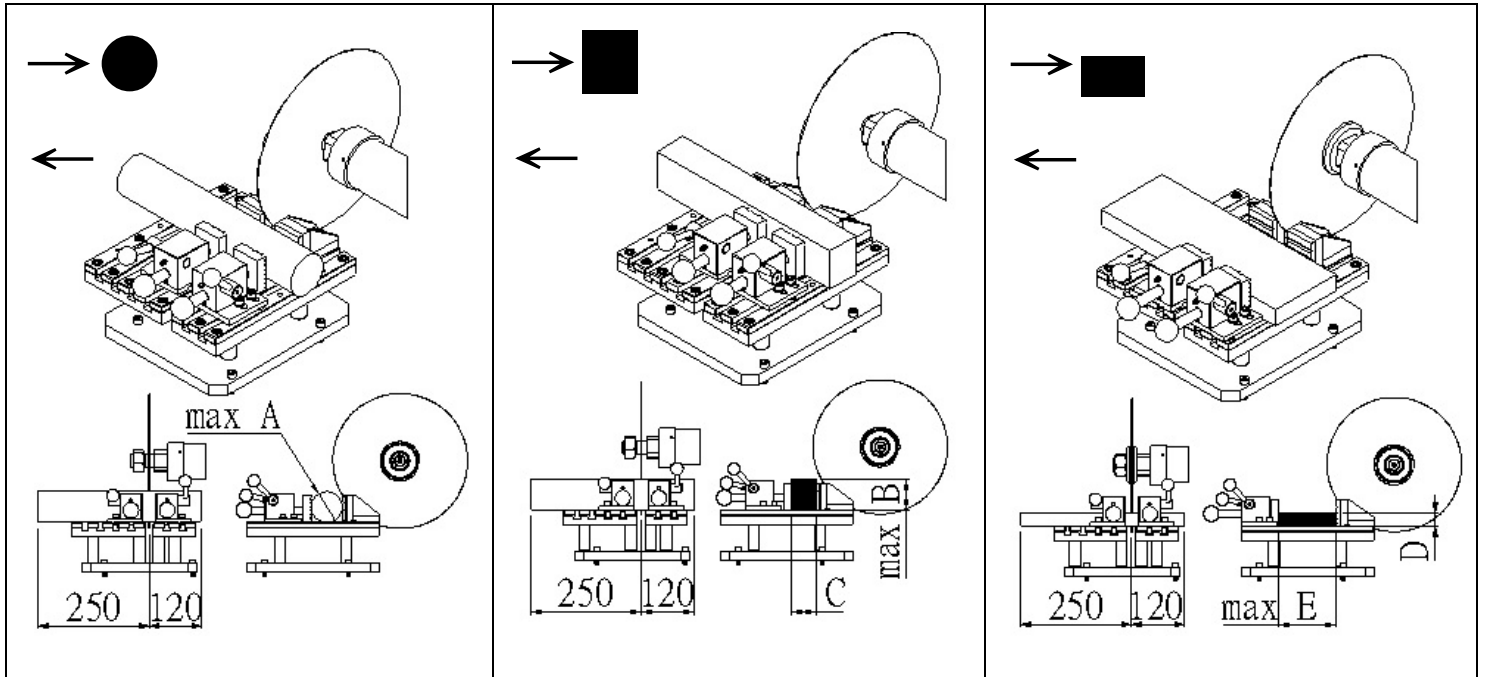
**Square area surface calculation method:**

The maximum height is B, the maximum width is E.  $B \times C$  or  $E \times D \leq A$  surface area.

**Material application:** Alloy tool steel SKS, SKD, SKT, SUP as heat treatment mechanical metal components, ordinary carbon steel, mechanical structure steel S-C series, tool steel SK series, and soft steel SS series.

Surface area can be cut in according to its degree of heat treatment

#### Appendix 4 – Separated T-slot vise table + separated vise (Option)



Model no.	●		■		■		Order no.
	A(mm)	A cutting area(mm <sup>2</sup> )	B(mm)	B x C	E(mm)	E x D	
CK260-3HP	Ø70	3846.5	70	70x54.95	130	130x29.58	CK90E02A
CK260-5HP	Ø90	6358.5	90	90x70.64	130	130x48.91	CK90E02A
CK360-5HP	Ø90	6358.5	90	90x70.64	170	170x37.4	CK120E02A
CK360-7.5HP	Ø120	11304	120	120x94.2	170	170x66.49	CK120E02A
CK460-10HP	Ø120	11304	120	120x94.2	170	170x66.49	CK120E02A

**Square area surface calculation method:**

The maximum height is B, the maximum width is E.  $B \times C$  or  $E \times D \leq A$  surface area.

**Material application:** Alloy tool steel SKS, SKD, SKT, SUP as heat treatment mechanical metal components, ordinary carbon steel, mechanical structure steel S-C series, tool steel SK series, and soft steel SS series.

Surface area can be cut in according to its degree of heat treatment

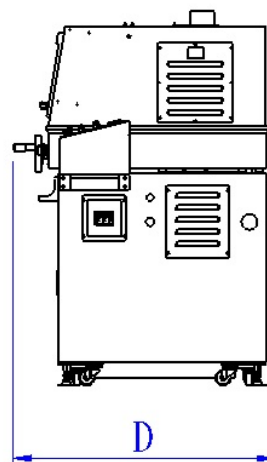
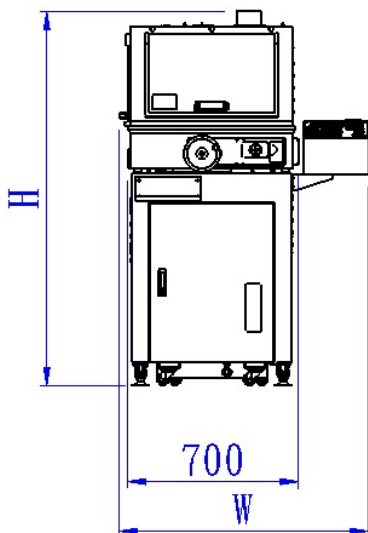
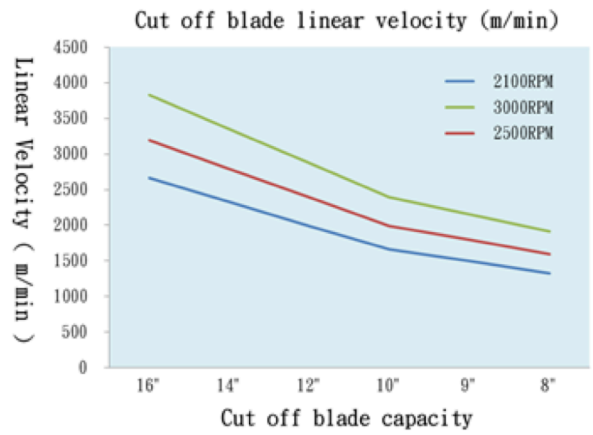
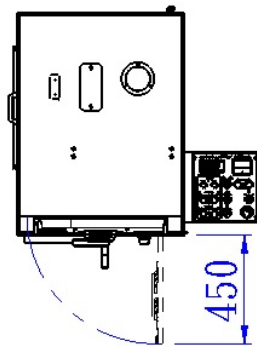
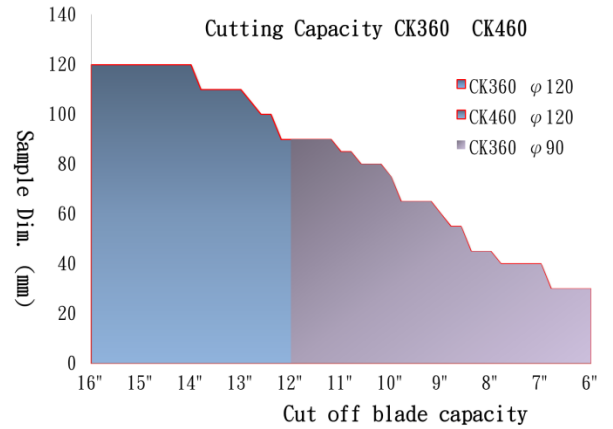
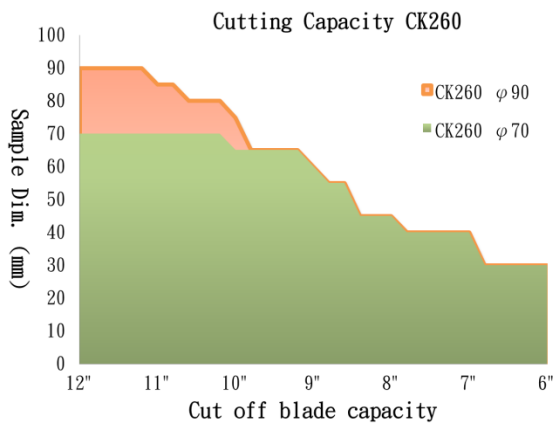
## Specifications



Model No.	260		360		460
Vise Travel	260mm	260mm	360mm	360mm	460mm
Motor Power	3HP	5HP	5HP	7.5HP	10HP
Noise Level (idling)	68~72dB	68~72dB	70~75dB	70~75dB	70~78dB
Cutting Capacity	<a href="#">Appendix 1</a> 、 <a href="#">Appendix 2</a> 、 <a href="#">Appendix 3</a> 、 <a href="#">Appendix 4</a>				
Cutting Chamber	<a href="#">Appendix 5</a>				
Abrasive Wheel (Diameter & Arbor)	Ø305 × Ø31.75(Ø32)mm			Ø406 × Ø32mm	
Flange Diameter	Ø85			Ø85 & Ø100	
Feed Rate	Standard: 10~150 mm/min Option:10~75 mm/min		Standard:10~75 mm/min (Special feed rate can be customized)		
Feed Method	Automatic	Home point return after cutting			
	Manual	Hand wheel and button control			
Rotational Speed	2500RPM(60Hz) / 2100RPM(50Hz)				
Vise	Dual quick push clamp vise				
Vise Dimension (WxH)	100mm x 60mm		150mm x 60(85)mm		200mm x 60(85)mm
Movement in X-axis	45mm				
Pump Motor Power	1/4HP Three phases				
Recirculation Cooling System	100L		120L		
Machine Dimension (WxDxH)	105 x 110 x 155cm		105 x 125 x 162cm		105 x 145 x 162cm
Machine Weight	358Kg	365Kg	454Kg	476Kg	503Kg
Voltage	AC 220V/380V /415V/440V Three phases (Special voltage can be customized)				
Standard Accessories	Wrench x 2pcs, cut off blade x 2pcs				
	Coolant 5L		Coolant 6L		

## Parameter

For reference only



## Consumables

### Abrasive wheel

Order No.	Materials	Model no.	Diameter*Arbor*Thickness	MOQ
S02A0302	Alloy tool steels SKS、SKD、SKT 、SUP heat treatment metal	CK260(3/5HP) CK360(5HP)	12"(Ø305XØ31.75X1.2)	10
S02B0302A	Ordinary carbon steel、mechanical structural steel S-C series、tool steel、soft steel SS series	CK260(3/5HP) CK360(5HP)	12"(Ø305XØ31.75X1.5)	10
S02C0302	Special alloy steel、 high-speed steel and other heat treatment components	CK260(3/5HP) CK360(5HP)	12"(Ø305XØ31.75X1.2)	10
S02D0302	Ordinary cast iron FC for casting	CK260(3/5HP) CK360(5HP)	12"(Ø305XØ31.75X1.2)	10
S02D1102B	Ordinary cast iron FC for casting	CK260(3/5HP) CK360(5HP)	12"(Ø305XØ32X1.2)	10
S02E0302	Non-iron metals、copper alloy	CK260(3/5HP) CK360(5HP)	12"(Ø305XØ31.75X1.2)	10
S02F0302	Bakelite、Plastic、sapphire	CK260(3/5HP) CK360(5HP)	12"(Ø305XØ31.75X1.2)	10
S02N12AD	Alloy tool steels SKS、SKD、SKT 、SUP heat treatment metal	CK260(3/5HP) CK360(5HP)	12"(Ø300XØ32X2)	10
S02N12ATC	Alloy tool steels、 Heat treatment metal	CK260(3/5HP) CK360(5HP)	12"(Ø300XØ32X2)	10
S02N12ATS	Ordinary carbon steel、mechanical structural steel S-C series、tool steel、soft steel SS series	CK260(3/5HP) CK360(5HP)	12"(Ø300XØ32X2)	10
S02A0504	Alloy tool steels SKS、SKD、SKT 、SUP heat treatment metal	CK360(7.5HP) CK460 (10HP)	16"(Ø400XØ31.75X3)	10
S02B0504A	Ordinary carbon steel、mechanical structural steel S-C series、tool steel、soft steel SS series	CK360(7.5HP) CK460 (10HP)	16"(Ø405XØ31.75X3)	10
S02C0504	Alloy tool steels SKS、SKD、SKT 、SUP heat treatment metal	CK360(7.5HP) CK460 (10HP)	16"(Ø400XØ31.75X3)	10
S02D0504	Ordinary cast iron FC for casting	CK360(7.5HP) CK460 (10HP)	16"(Ø400XØ31.75X3)	10
S02E0504	Non-iron metals、copper alloy	CK360(7.5HP) CK460 (10HP)	16"(Ø400XØ31.75X3)	10

## Consumables

### Abrasive wheel

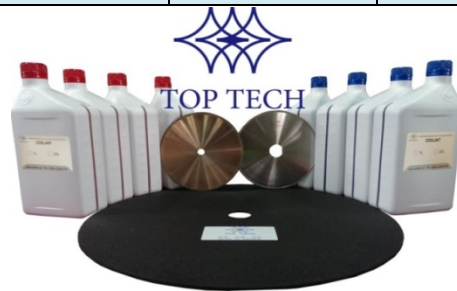
Order No.	Materials	Model no.	Diameter* Arbor*Thickness	MOQ
S02F0504	Bakelite、 Plastic、 Sapphire	CK360(7.5HP) CK460 (10HP)	16"( $\varnothing$ 400X $\varnothing$ 31.75X3)	10
S02N16AD	Special alloy steel、 high-speed steel and other heat treatment components	CK360(7.5HP) CK460 (10HP)	16"( $\varnothing$ 400X $\varnothing$ 32X3)	10
S02N16ATC	Alloy tool steels SKS、 SKD、 SKT 、 SUP heat treatment metal	CK360(7.5HP) CK460 (10HP)	16"( $\varnothing$ 400X $\varnothing$ 32X3)	10
S02N16ATS	Ordinary carbon steel、 mechanical structural steel S-C series、 tool steel、 soft steel SS series	CK360(7.5HP) CK460 (10HP)	16"( $\varnothing$ 400X $\varnothing$ 31.75X3)	10

### Diamond saw

Order No.	Materials	Model no.	Diameter* Arbor*Thickness	MOQ	Order No.
HW21121510L	Non-iron material、 non-metal material、 precision cutting、 high molecular material	CK260(3/5HP) CK360(5HP)	10"( $\varnothing$ 250X $\varnothing$ 31.75X2)	1	Metal-bonded
HW21121610L	Non-iron material、 non-metal material、 precision cutting、 high molecular material	CK260(3/5HP) CK360(5HP)	12"( $\varnothing$ 300X $\varnothing$ 31.75X2)	1	Metal-bonded

### Coolant

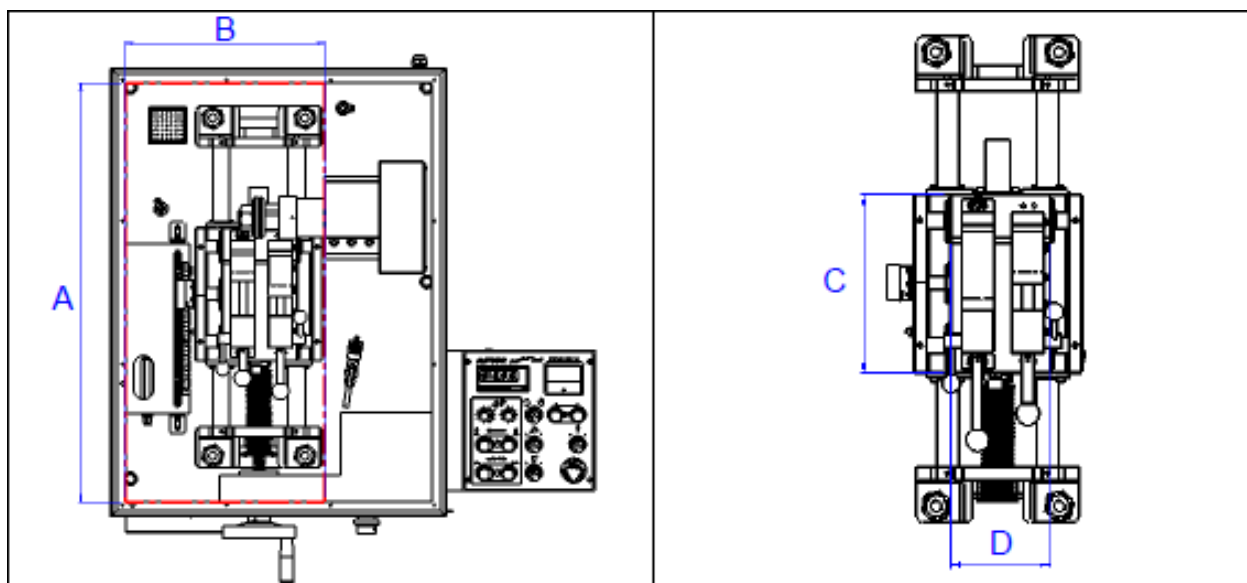
Order No.	Materials	Capacity	Feature	MOQ
S01002	Coolant	1L	Creamy and high oil content	



**Remark: Welcome to get the more detail information of consumables in the follow link**

<http://toptech.synology.me/Consumables/CuttingEN.pdf>

## Appendix 5 – Cutting Chamber Capacity



Model no.	A(mm)	B(mm)	C(mm)	D(mm)
CK260-3HP	850	410	270	155
CK260-5HP	850	410	270	155
CK360-5HP	950	400	360	155
CK360-7.5HP	950	400	360	155
CK460-10HP	1090	400	360	155



*Perfect Surface.  
Always*

**Cutting / Mounting / Grinding & Polishing / Spin Coater**

**PRECISION SURFACES INTERNATIONAL, INC.**

922 Ashland St., Houston, TX 77008 USA

Tel: (713) 426-2220

[www.psidragon.com](http://www.psidragon.com)

[www.psimetallography.com](http://www.psimetallography.com)

E-mail: [info@psidragon.com](mailto:info@psidragon.com)

Agent:

**We reserve the right to change design without notice.**

**NO.A16-01**

