

PRESIDON-ML Series



*Perfect Surface.
Always*

ML-C

ML-C is an automatic silent type mounting press with the intuitive control panel which allows the setting of heating and cooling more simple. The memory modules can store up to 40 sets of parameters which can be easily accessed for different materials. The sturdy and functional design of machine framework and cover not only support the ease of use and maintenance, but also improve the mounting effectiveness and quality.

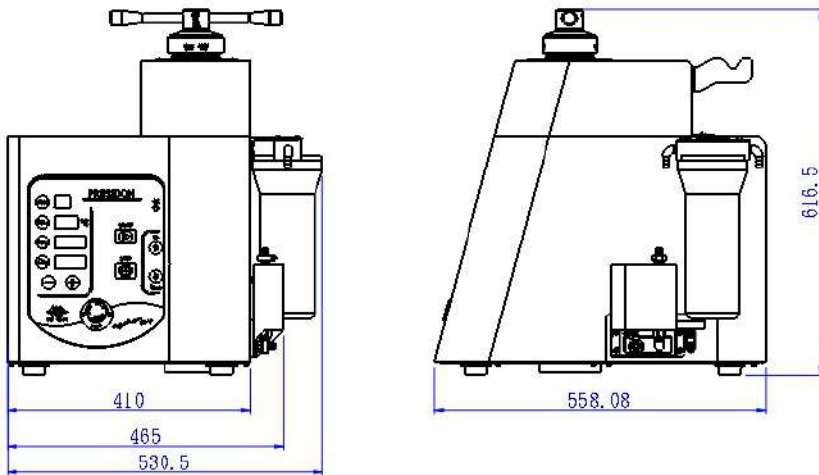
Specification

Model No.	ML25C	ML25.4C	ML31.75C	ML32C	ML38.1C	ML40C	ML50C
Standard sample dia.(mm)	Ø25	Ø25.4	Ø31.75	Ø32	Ø38.1	Ø40mm	Ø50mm
Sample qty.	1~2PC/ per time (spacer optional)						
Spacer (optional)	Ø25 (ML25AE0211) Ø32 (M32C0011-3)	Ø25.4 (ML25AE0211-1) Ø38.1 (ML38AE0206-2)	Ø30 (M30CA0002-4) Ø40 (M40C0006-5)	Ø31.75 (M32C0011-3) Ø50 (ML50DG0210-4)			
Temperature (°C)	0~250						
Heating power (W)	1600				2400		
Total power (W)	2000				2770		
Sample afforded pressure (Kg/cm ²)	Ø25 (445) Ø25.4 (431) Ø30 (309) Ø31.75(275) Ø32 (272) Ø38.1 (191) Ø40 (174) Ø50 (111) Please inform us in advance if special demands are required.						
Sample afforded pressure (psi)	Ø25 (6334) Ø25.4 (6134) Ø30 (4398) Ø31.75(3914) Ø32 (3871) Ø38.1 (2719) Ø40 (2477) Ø50 (1580)						
Heating time (S)	Max 3600 (60 mins)						
Cooling time (S)	Max 1800 (30 mins)						
Memory mode (set)	40 (Heating temperature, heating time, and cooling time)						
Machine size WxDxH (mm)	540 x 560 x 620						
Weight(Kg)	70				71		
Water inlet and outlet pipes	10mm pipe (internal diameter- Ø10mm/ external diameter - Ø15mm)						
Power supply	AC220V-1Ø						
Standard accessories	Tweezer: 1pc , Funnel: 1pc, Filter: 1set, Spoon: 1pc, Mounting resin: 1kg(2.2lb) Pipe clip: 6pcs, Copper fitting: 2pcs, Screws: 6pcs						



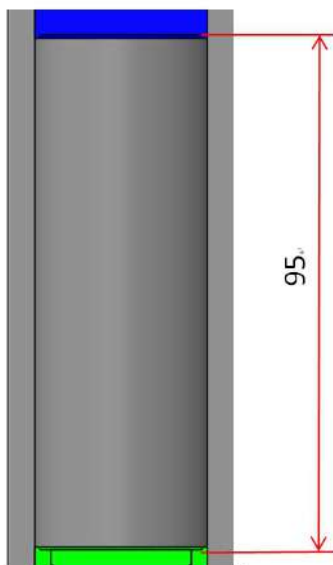
Machine parameter

Dimension (unit : mm)

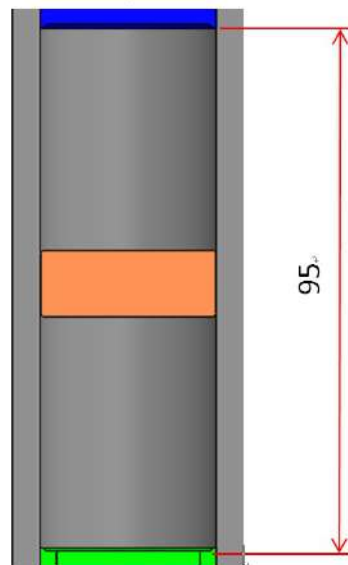


Mount Size and Weight (Bakelite)

Single mount



Dual mount



before mounting (Unit: mm)



Machine parameter

	Mount size (mm)	Mount volume(mm ³)	Mount height (mm)	Powder weight(g)
Single mount	∅25	10303	21	15
	∅25.4	10635	21	15
	∅30	14837	21	21
	∅31.75	16618	21	24
	∅32	16881	21	24
	∅38.1	23930	21	34
	∅40	26376	21	38
	∅50	41213	21	59
Dual mounts (per mount)	∅25	6869	14	10
	∅25.4	7090	14	10
	∅30	9891	14	14
	∅31.75	11079	14	16
	∅32	11254	14	16
	∅38.1	15953	14	23
	∅40	17584	14	25
	∅50	27475	14	39